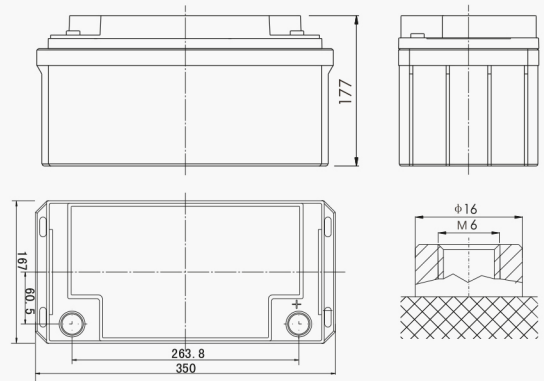


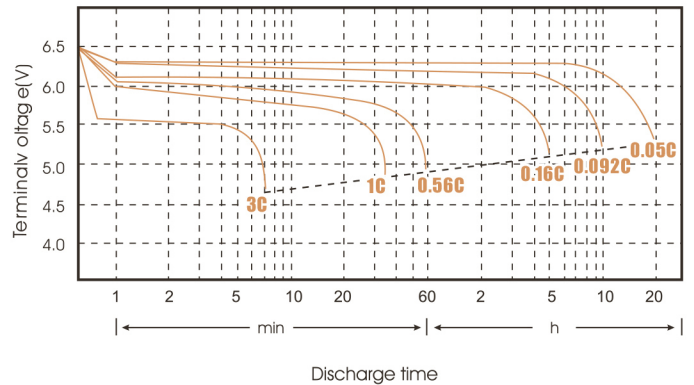
6-FM-65



Specifications

Nominal Voltage		12V
Rated Capacity(20 hour rate)		65Ah
Dimensions	Total Height (with terminals)	6.97inches (177mm)
	Height	6.97inches (177mm)
	Length	13.8inches (350mm)
	Width	6.57inches (167mm)
Weight		Approx. 42.24pound(19.2kg)

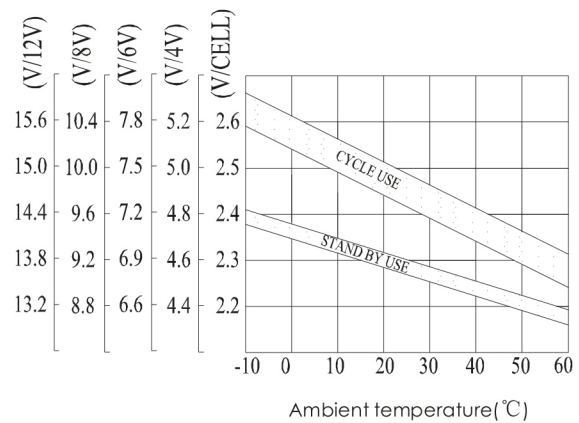
Discharge Curves 77°F(25°C)



Characteristics

Capacity 77°F(25°C)	20 hour rate (3.25A)	65Ah
	10 hour rate (6.10A)	61Ah
Capacity affected by Temperature (20 hour rate)	5 hour rate (10.4A)	52Ah
	1 hour rate (39.0A)	39Ah
	15 minute Rate (107A)	26.8Ah
Internal Resistance	Full charged Battery 77°F(25°C)	7.5mΩ
Capacity affected by Temperature (20 hour rate)	104°F(40°C)	102%
	77°F(25°C)	100%
	32°F(0°C)	85%
	5°F(-15°C)	65%
Self-Discharge 77°F(20°C)	Capacity after 3 month storage	91%
	Capacity after 6 month storage	81%
	Capacity after 12 month storage	60%
Max. Discharge Current	77°F(25°C)	650A(5S)
Terminal	M2/B5/B11	
Charge (Constant Voltage)	Cycle	Initial Charging Current less than 19.5A Voltage 14.4~14.7V/77°F(25°C)
	Float	Voltage 13.5~13.8V/77°F(25°C)

Relationship between charge voltage and temperature



Constant Power Discharge (WATTS @25°C)

Cut off voltage v/cell	1M	5M	10M	15M	30M	45M	1h	2h	3h	5h	8h	10h	12h	24h
1.60V	408	359	254	194	127	95.2	77.2	45.3	31.8	20.9	14.2	11.8	10.2	5.35
1.65V	399	343	251	192	124	94.3	76.4	44.7	31.5	20.7	14.1	11.6	10.1	5.33
1.67V	395	341	250	190	123	92.9	75.6	44.2	31.4	20.6	14	11.5	10.0	5.31
1.70V	389	328	246	187	121	91.5	75.0	43.6	31.2	20.3	13.9	11.3	9.94	5.29
1.75V	355	305	230	182	111	90.0	74.8	43.1	30.8	20.1	13.8	11.2	9.88	5.27
1.80V	321	273	214	170	104	89.0	74.4	42.4	30.1	20	13.5	11.0	9.65	5.25
1.85V	257	219	177	149	96.0	82.1	69.2	41.4	29.7	19.1	13.0	10.9	9.42	4.95